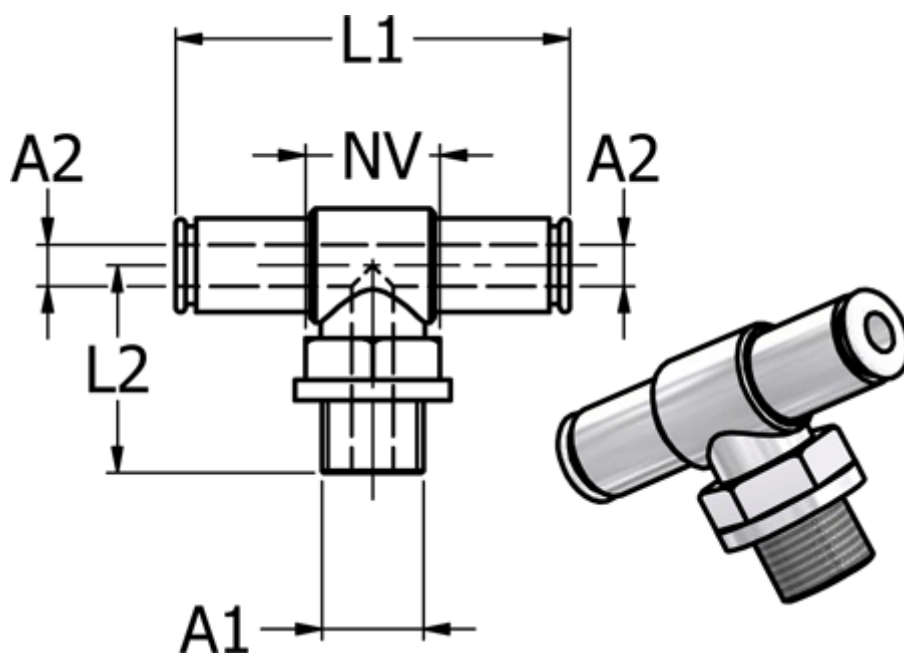


Article number: 58685503810

Description: Metal Push-in fitting 855.038-10, $\varnothing 10$ / G 3/8" / $\varnothing 10$
Tee with FPM O-ring

Measures



Ext. hose diameter A2	= 10
L1	= 53
L2	= 28
NV	= 16
Thread A1	= G 3/8"